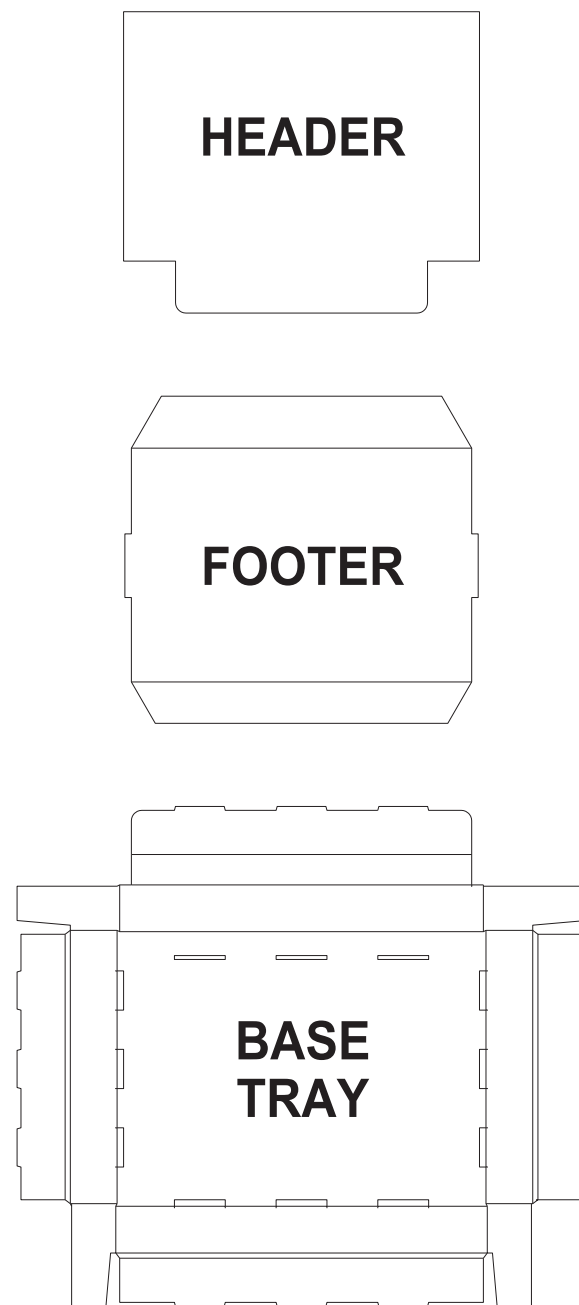
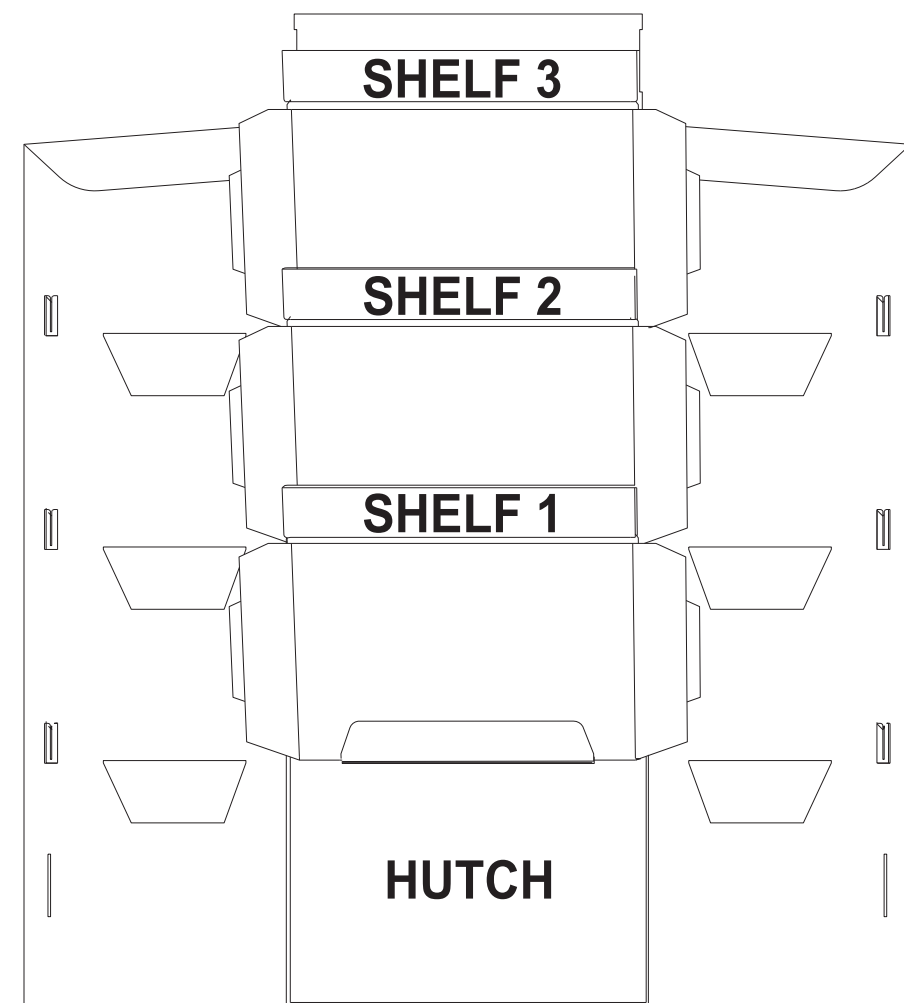
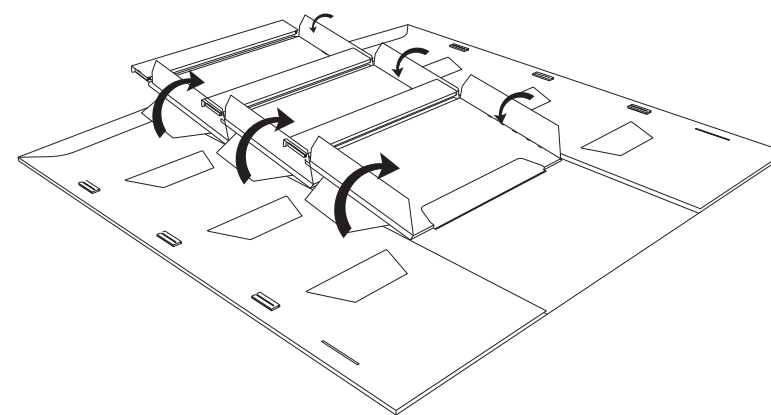


3 Shelf Hutch Display w Clips Assembly Instructions

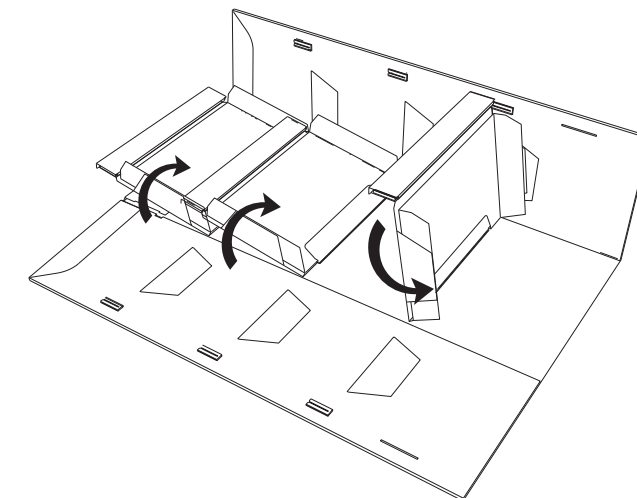


FLAT PARTS

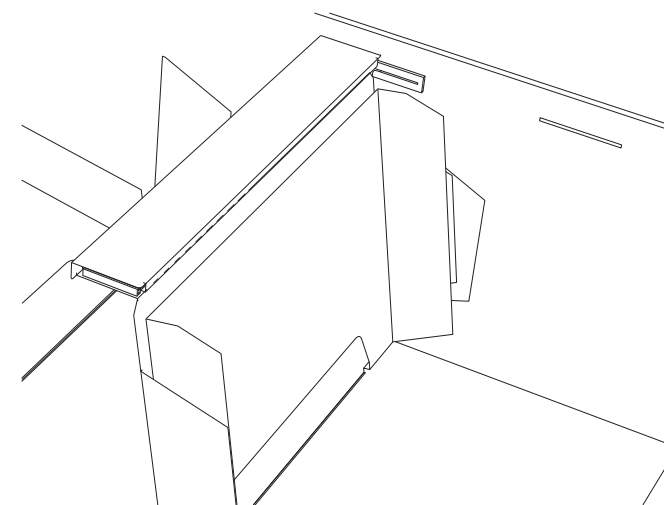
FOOTER AND/OR BASE TRAY
MAY OR MAY NOT BE INCLUDED



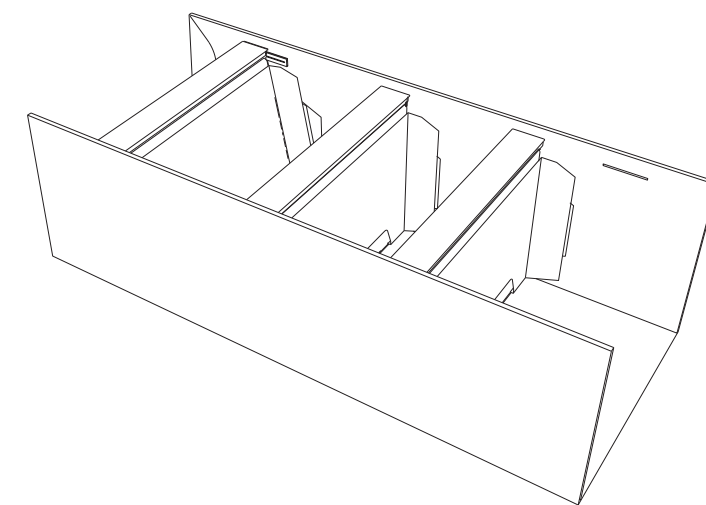
1: Locate pre-glued hutch. Fold side panels outward and lay flat as shown. Then fold bottom shelf flaps inward as shown.



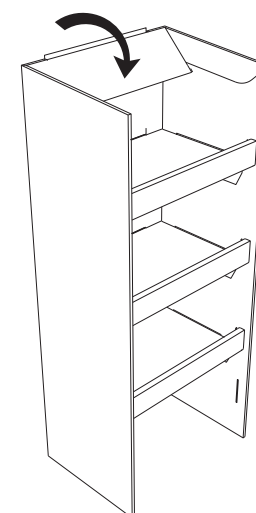
2: Stand up each shelf combo for front lip assembly. Fold all shelf side flaps towards the bottom of display as shown.



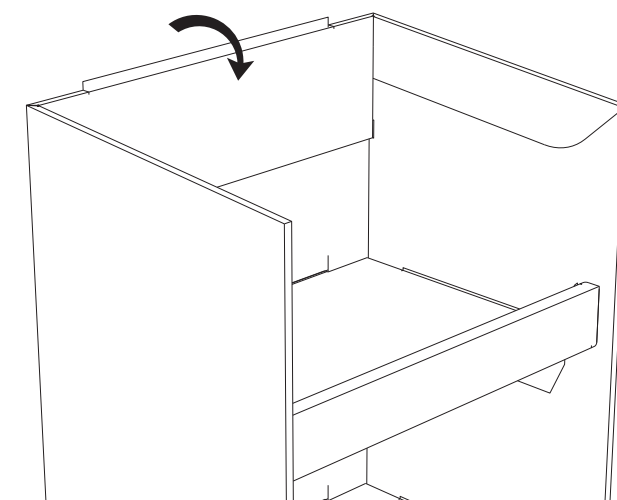
3: Feed one side of bottom shelf clips **PARTIALLY** into sidewall clips. Repeat for all shelf locations on the one side.



4: Repeat Step 3 for other side, and once both sides are partially inserted, the shelf lip can be pressed all the way down as shown.

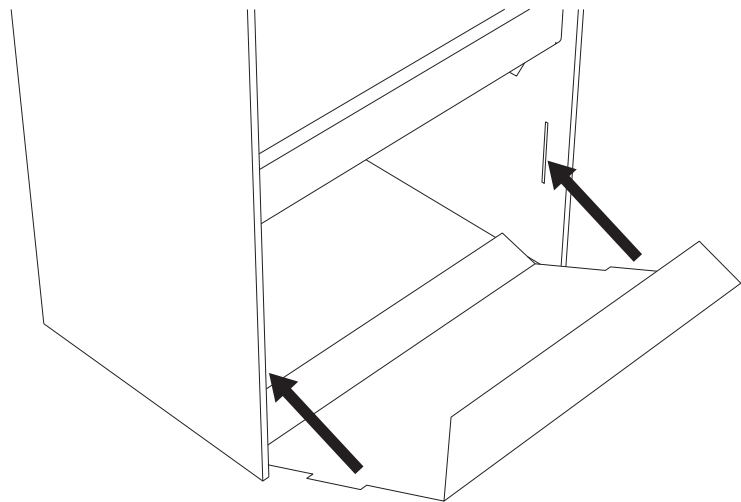


5: Stand hutch upright. Top hutch flap should already be folded inward. If it's out of place, fold and lock it back into position.

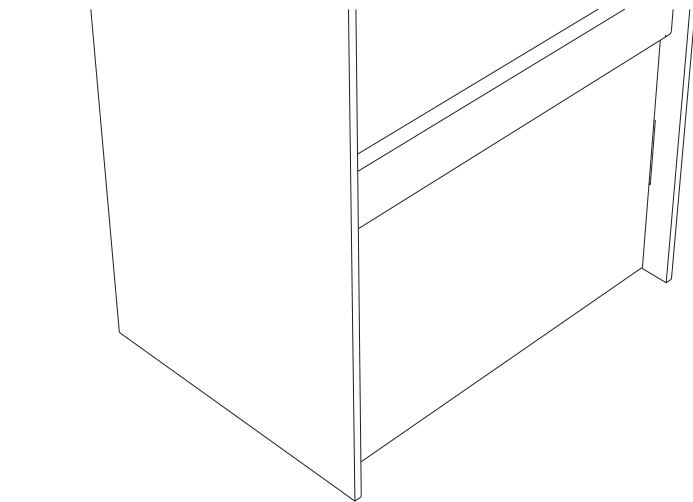


6: Ensure top hutch flap is secured with left & right locking tabs.

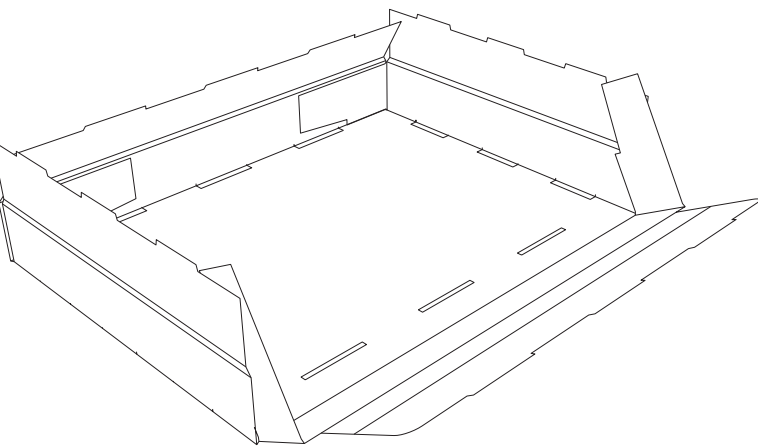
3 Shelf Hutch Display w Clips Assembly Instructions



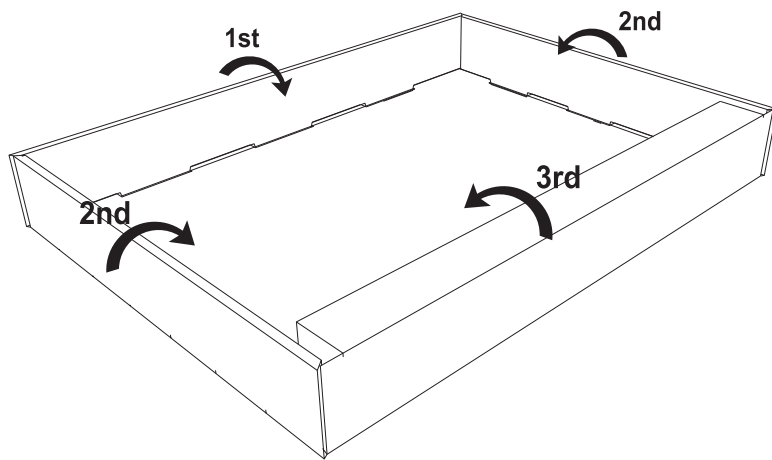
7: Skip to Step 9 if no optional footer included. Fold top and bottom footer flaps and tab together with left and right hutch slots.



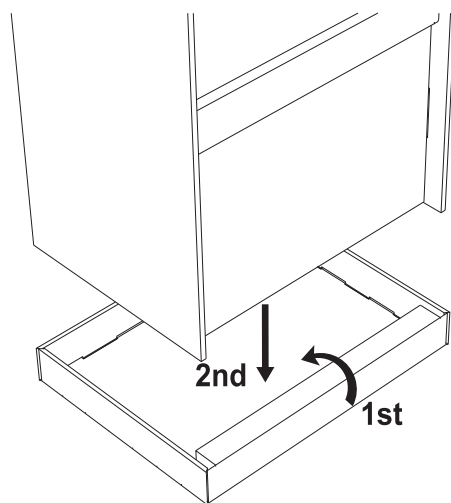
8: Friction fit the tabs into place as shown.



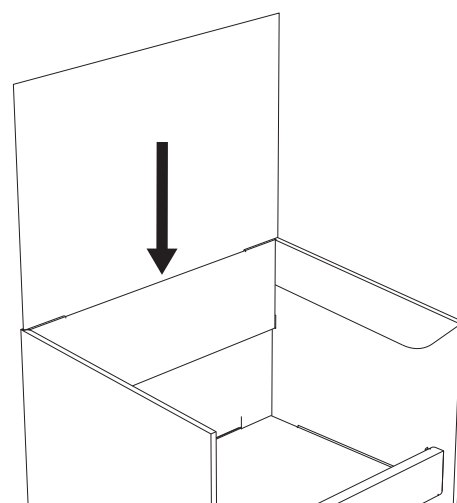
9: Skip to Step 12 if no optional base tray included. Fold up sides first with back side flaps turned inward to secure with back panels.



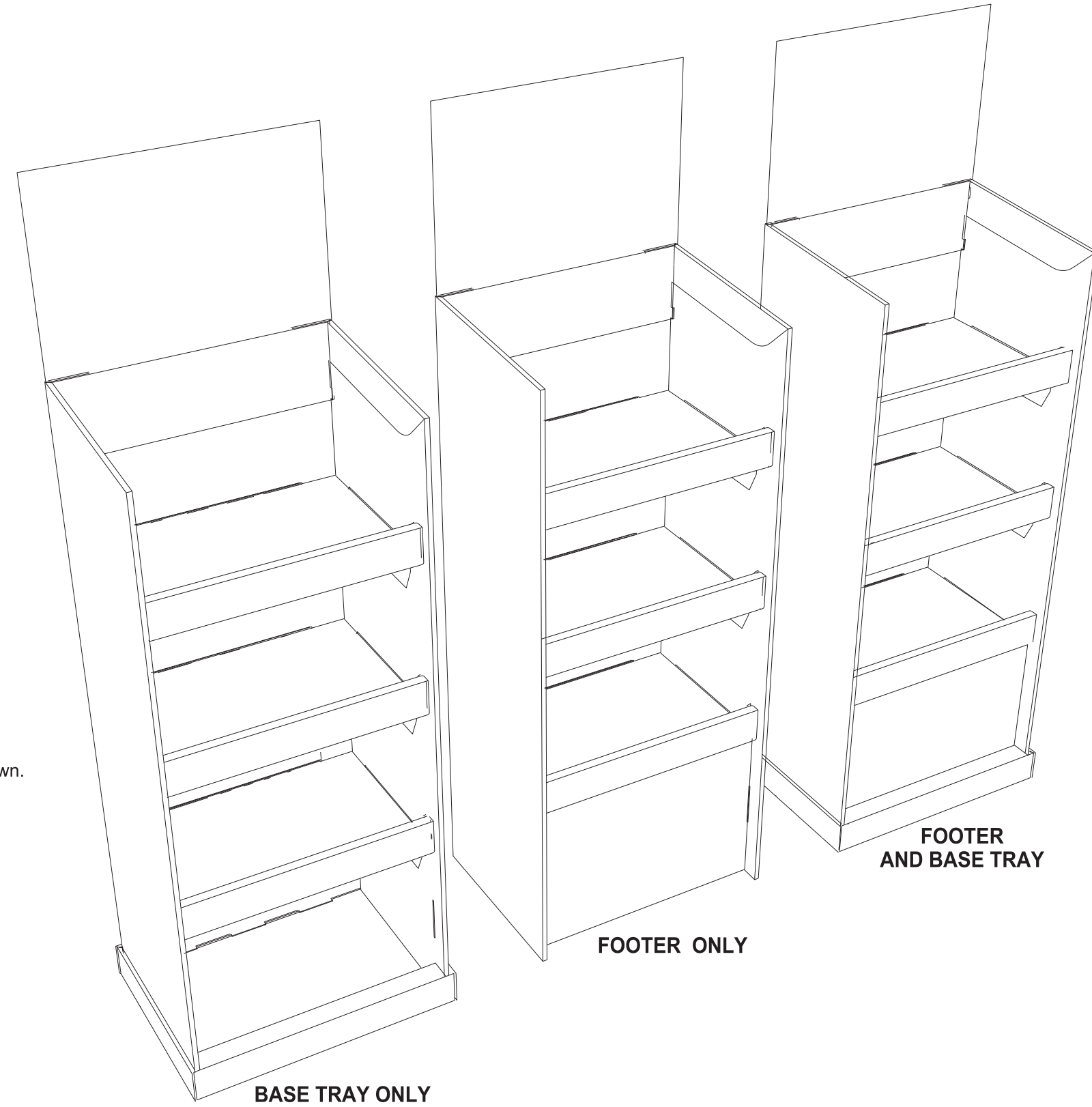
10: Secure back panel first, then sides, and front panel last as shown.



11: First, fold base tray front panels inward and lock into place. Second, set display into base tray.



12: Locate header and insert into top hutch slot.



13: Display will be one of three bottom configurations shown. Place display in desired location and load with product. Display is complete.