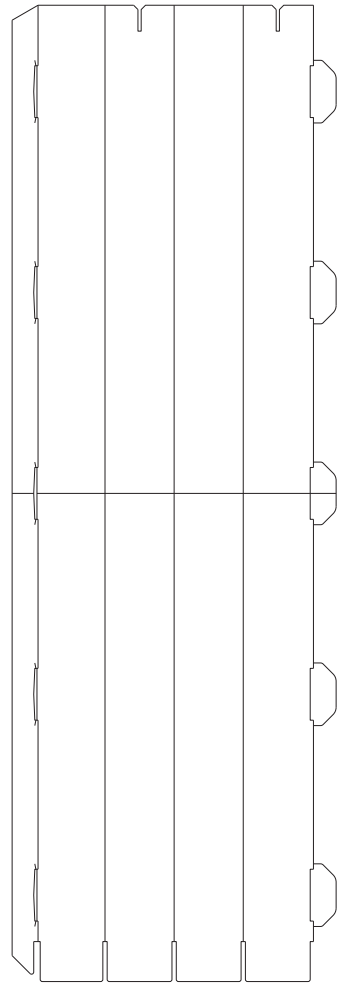
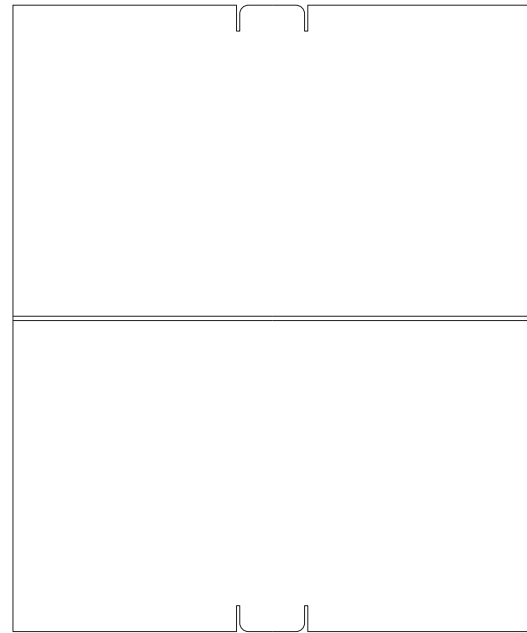


DISPLAY FEET

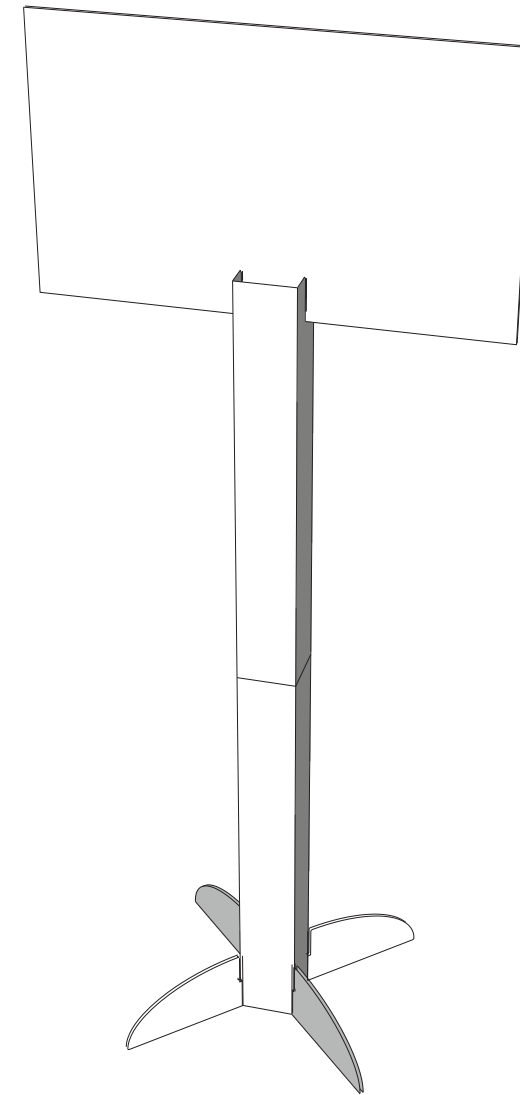


DISPLAY POLE / POST

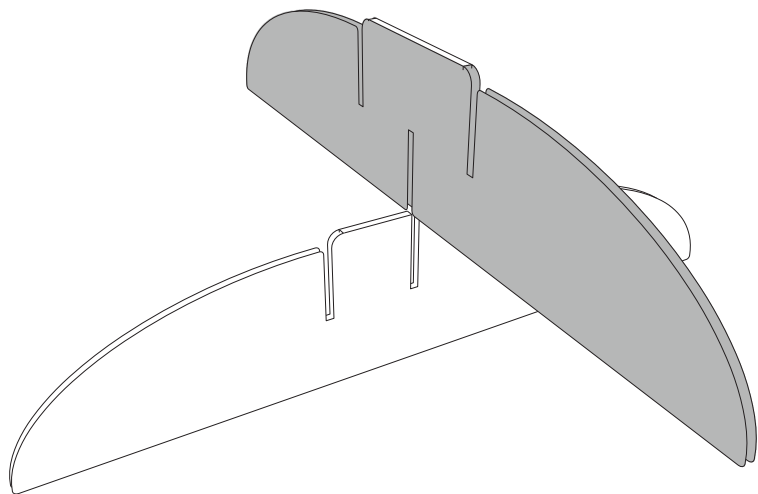


HEADER

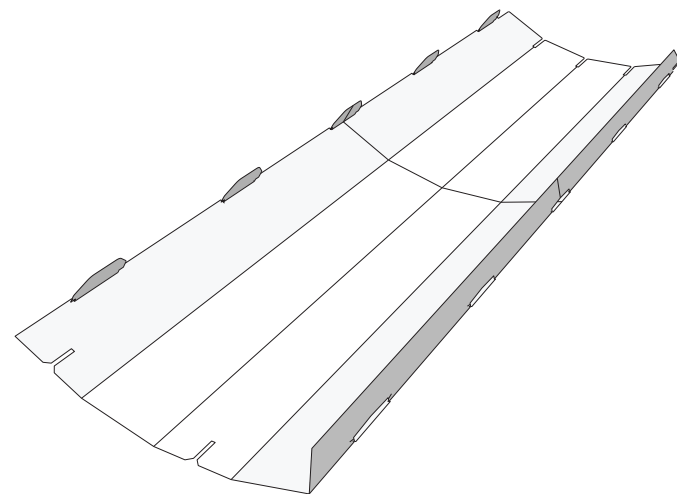
## Flat Parts



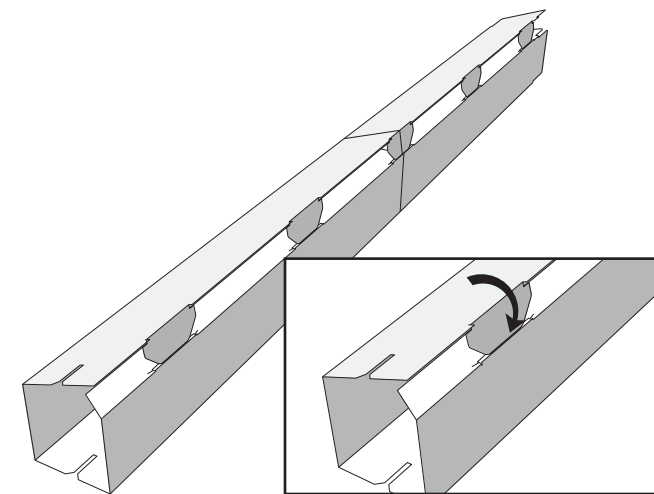
Fold header and combine with printed post as shown.  
Completed assembly. Follow steps below and place display in desired location, then load with appropriate product



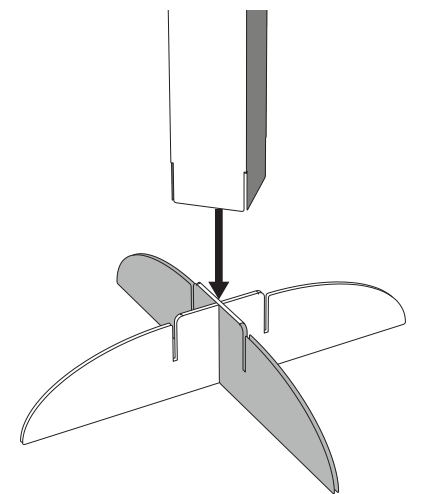
Step 1: Locate display feet, fold over each one and combine using center slot.



Step 2: Locate display post, fold over end flap and tabs, then begin to fold panels around as shown.



Step 3: Fold panels around and secure tabs into slots as shown.



Step 4: Combine display feet with four bottom post slots.