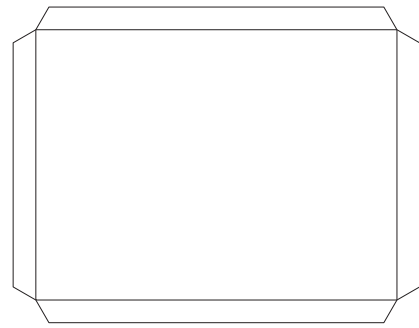
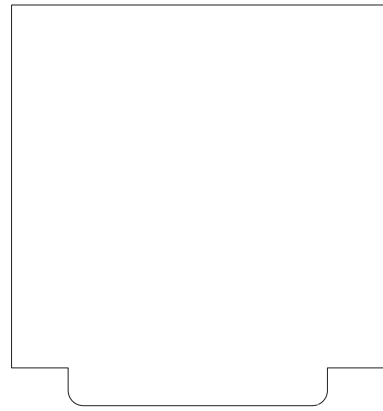


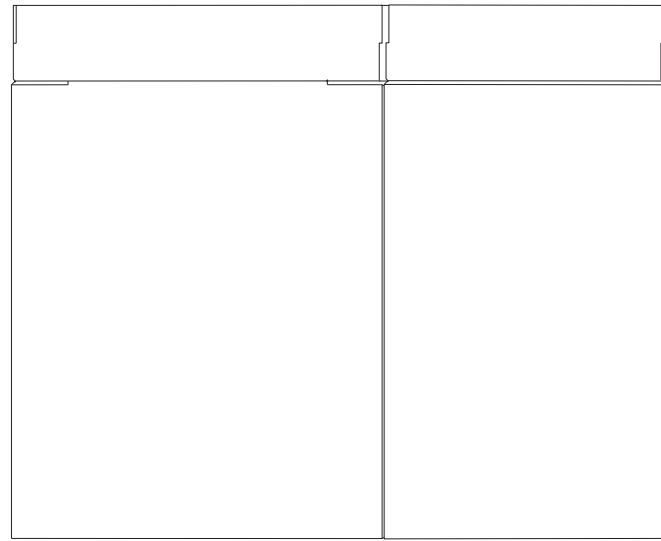
Platform Dump Bin Assembly Instructions



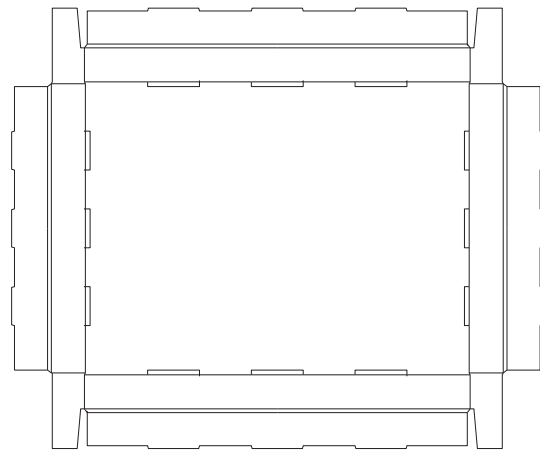
PLATFORM COVER



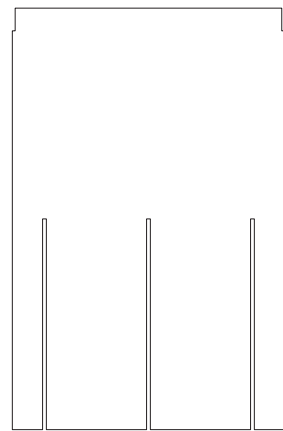
OPTIONAL HEADER



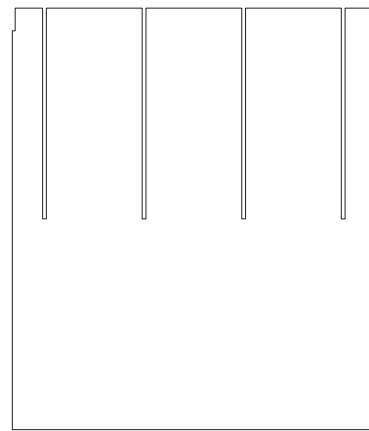
BASE



BASE TRAY

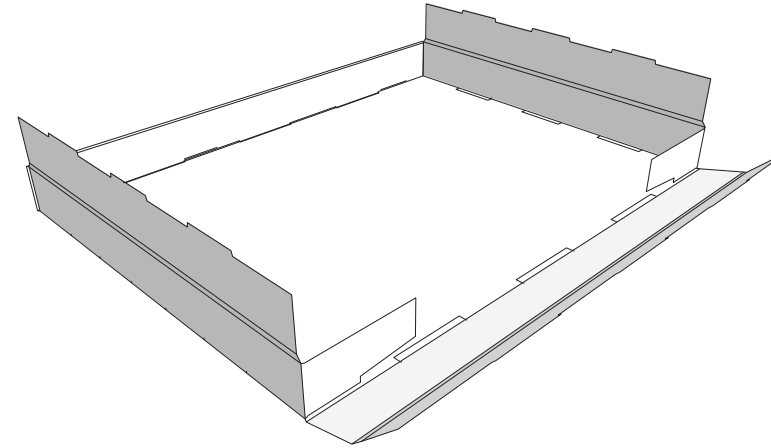


SHORT SUPPORTS (X4)

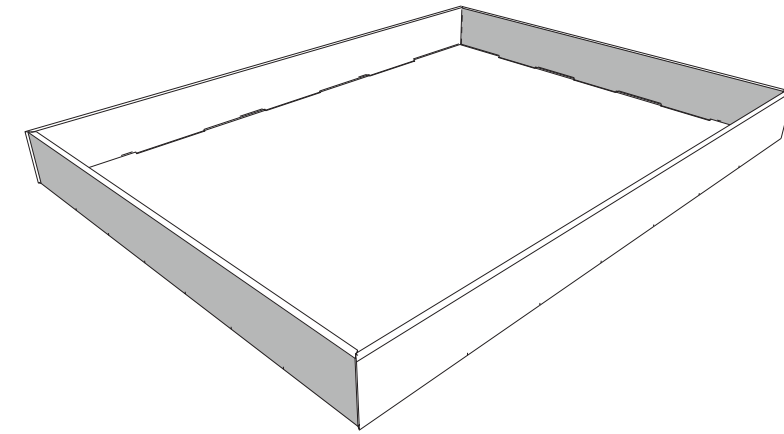


LONG SUPPORTS (X3)

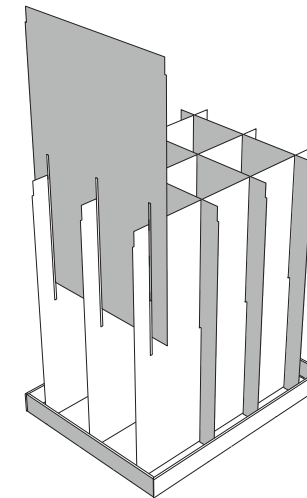
FLAT PARTS



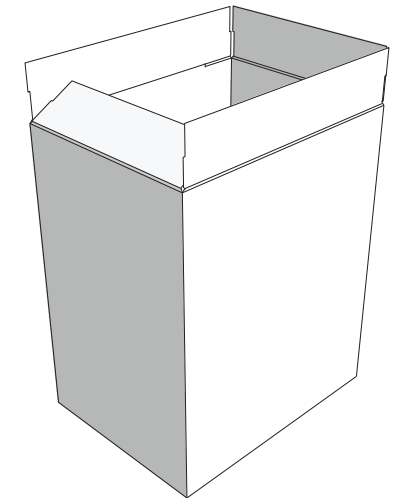
Step 1: Locate base tray and fold sides to capture minor flaps as shown.



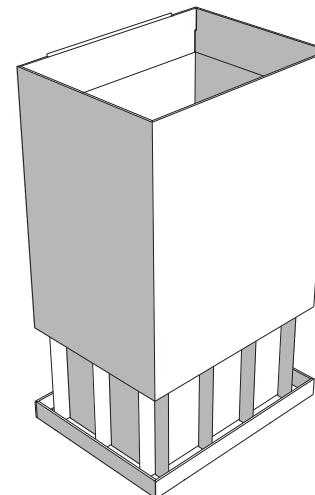
Step 2: Fold all panels around to securely form base tray.



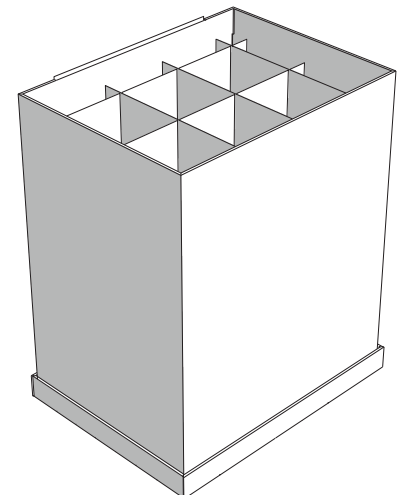
Step 3: Locate (4) short supports and (3) long supports, then slot them together to combine. Set the combined supports into base tray as shown.



Step 4: Locate base and square up as shown, then begin folding top flaps inward one at a time to lock securely.

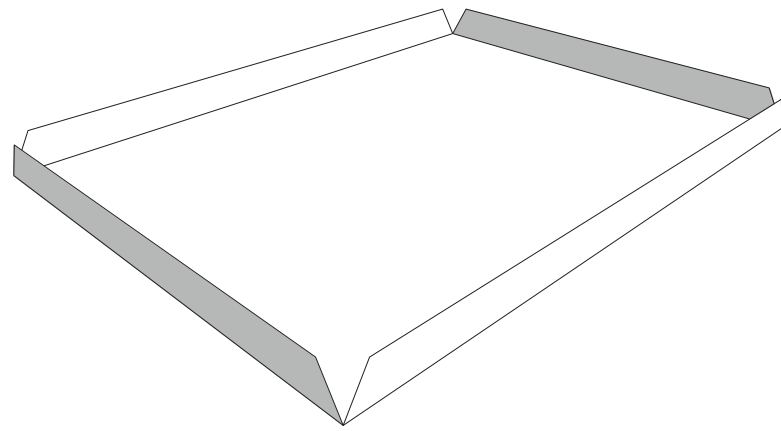


Step 5: Set base over and around combined supports as shown.

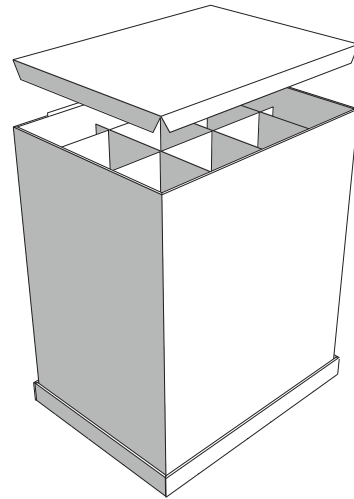


Step 6: Push base down to the floor as shown.

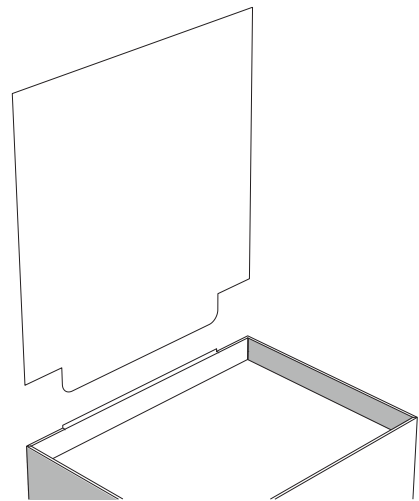
Platform Dump Bin Assembly Instructions



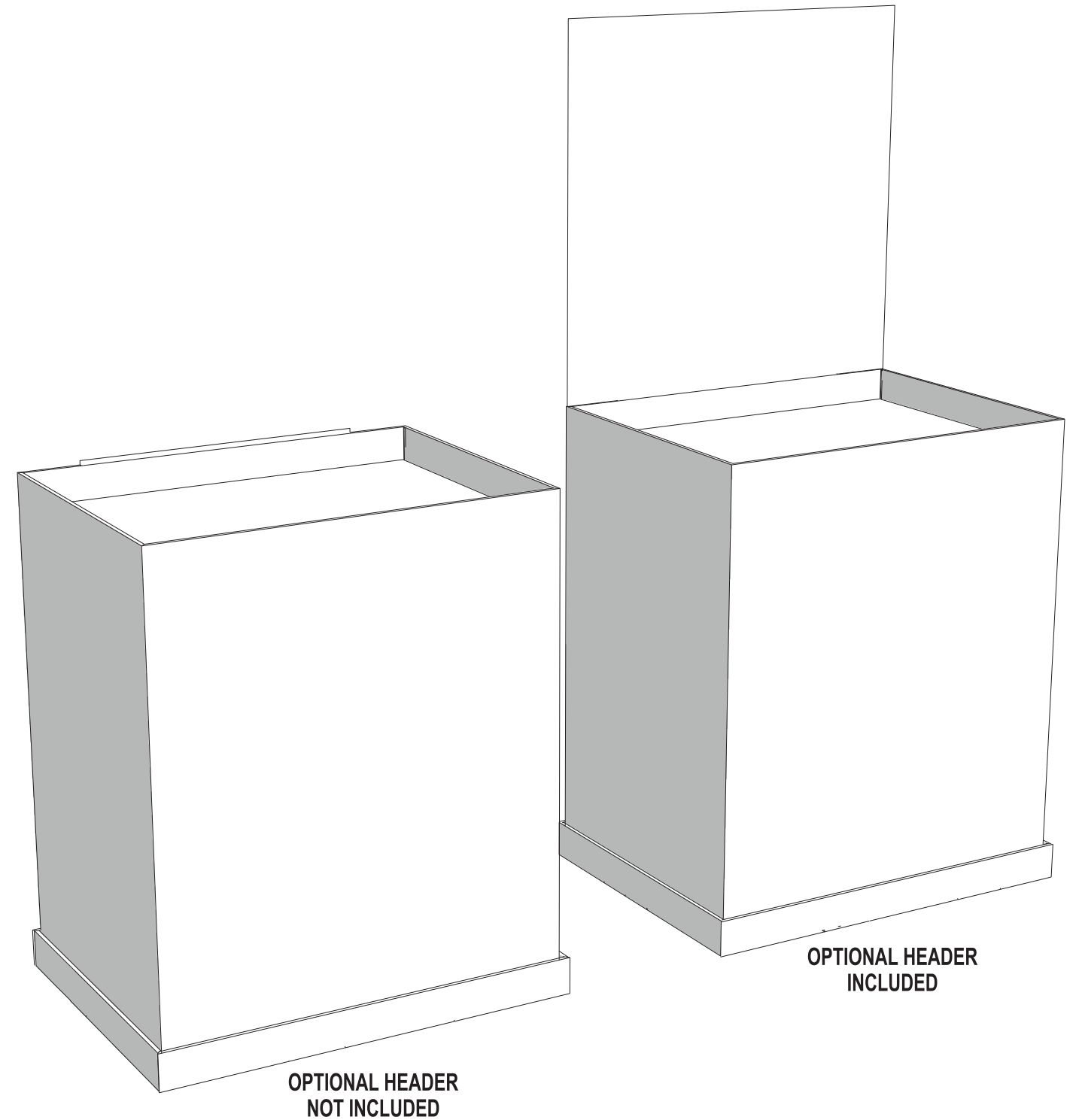
Step 7: Locate platform cover and fold all four flaps inward as shown.



Step 8: Turn platform cover over with flaps down and insert into base. Press down to meet supports.



Step 9: Locate header (if included) and insert into slot in back of base as shown.



Completed assembly. Follow prior steps and place display in desired location, then load with appropriate product.