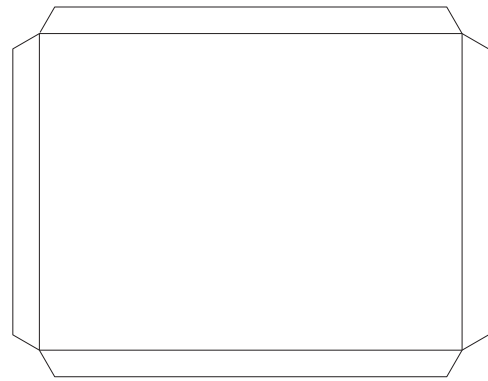
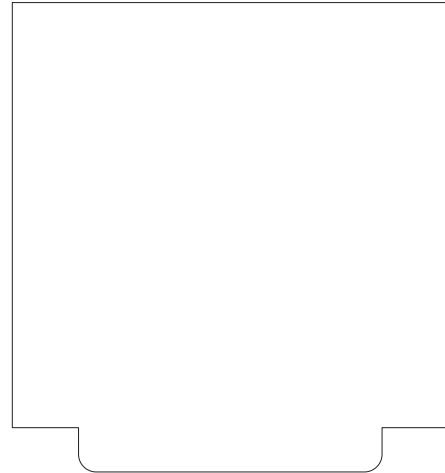


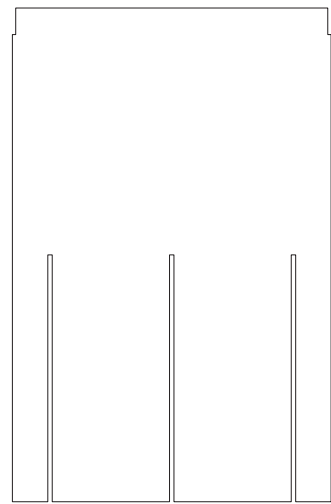
Platform Dump Bin Assembly Instructions



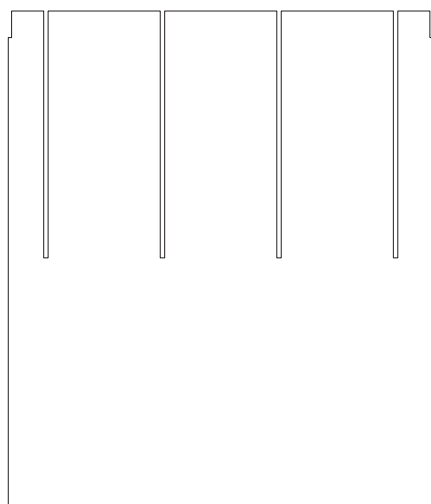
PLATFORM COVER



OPTIONAL HEADER



SHORT SUPPORTS (X4)

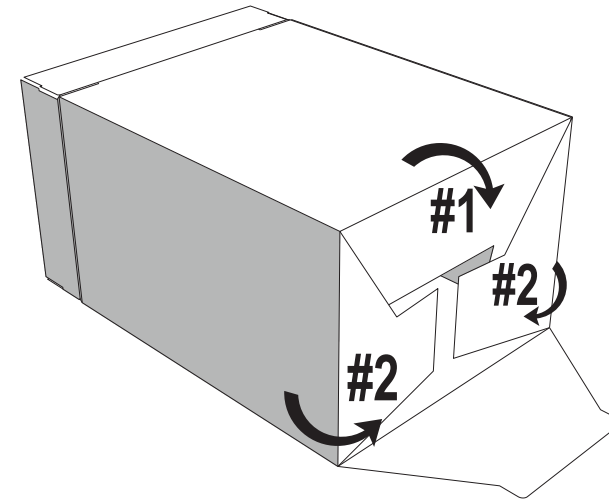


LONG SUPPORTS (X3)

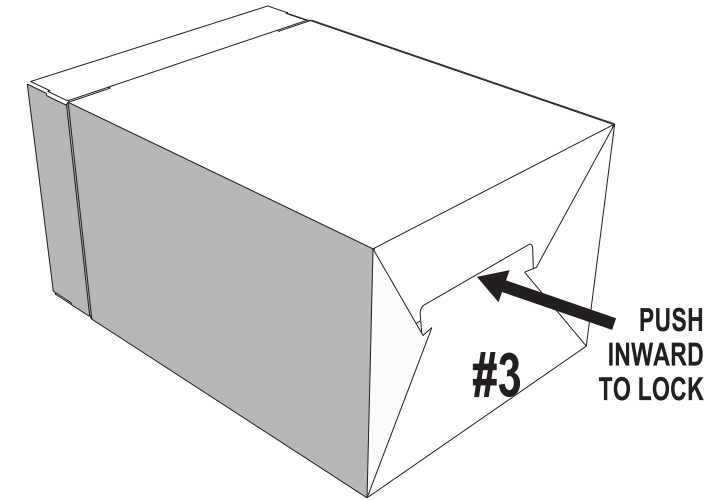


BASE

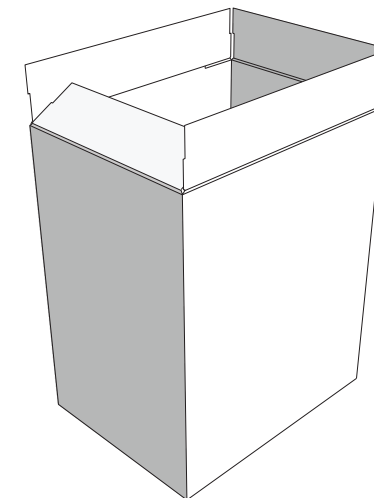
FLAT PARTS



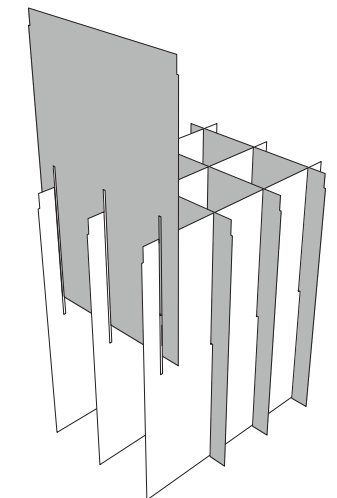
Step 1: Locate base square up as shown. Then and fold bottom #1 flap inward first. Next fold both bottom #2 flaps inward as shown.



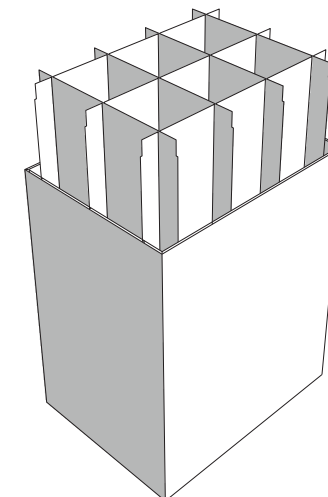
Step 2: Fold bottom #3 flap in and push inward until tab of flap locks into place.



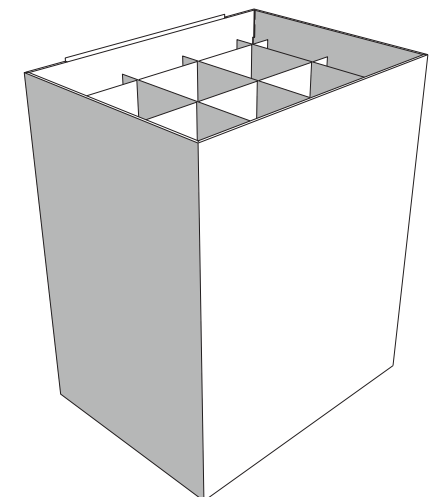
Step 3: Turn base upright, then begin folding top flaps inward one at a time to lock securely.



Step 4: Locate (4) short supports and (3) long supports, then slot them together to combine.

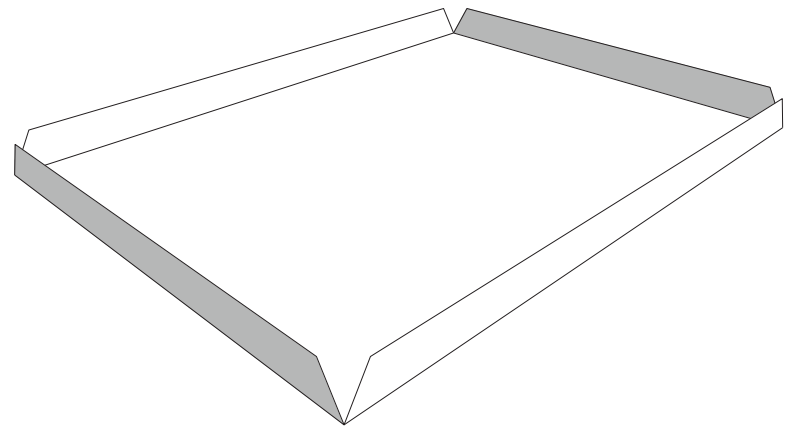


Step 5: Set combined supports into base as shown.

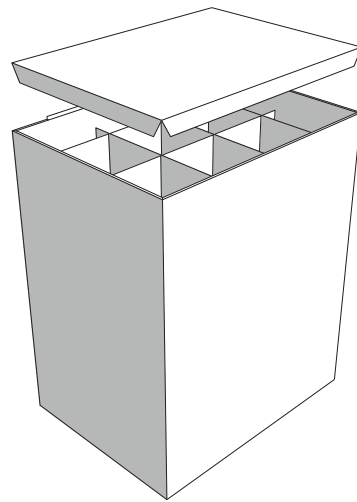


Step 6: Push combined supports down to the floor as shown.

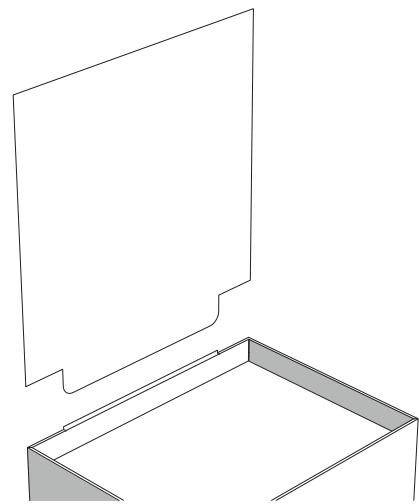
Platform Dump Bin Assembly Instructions



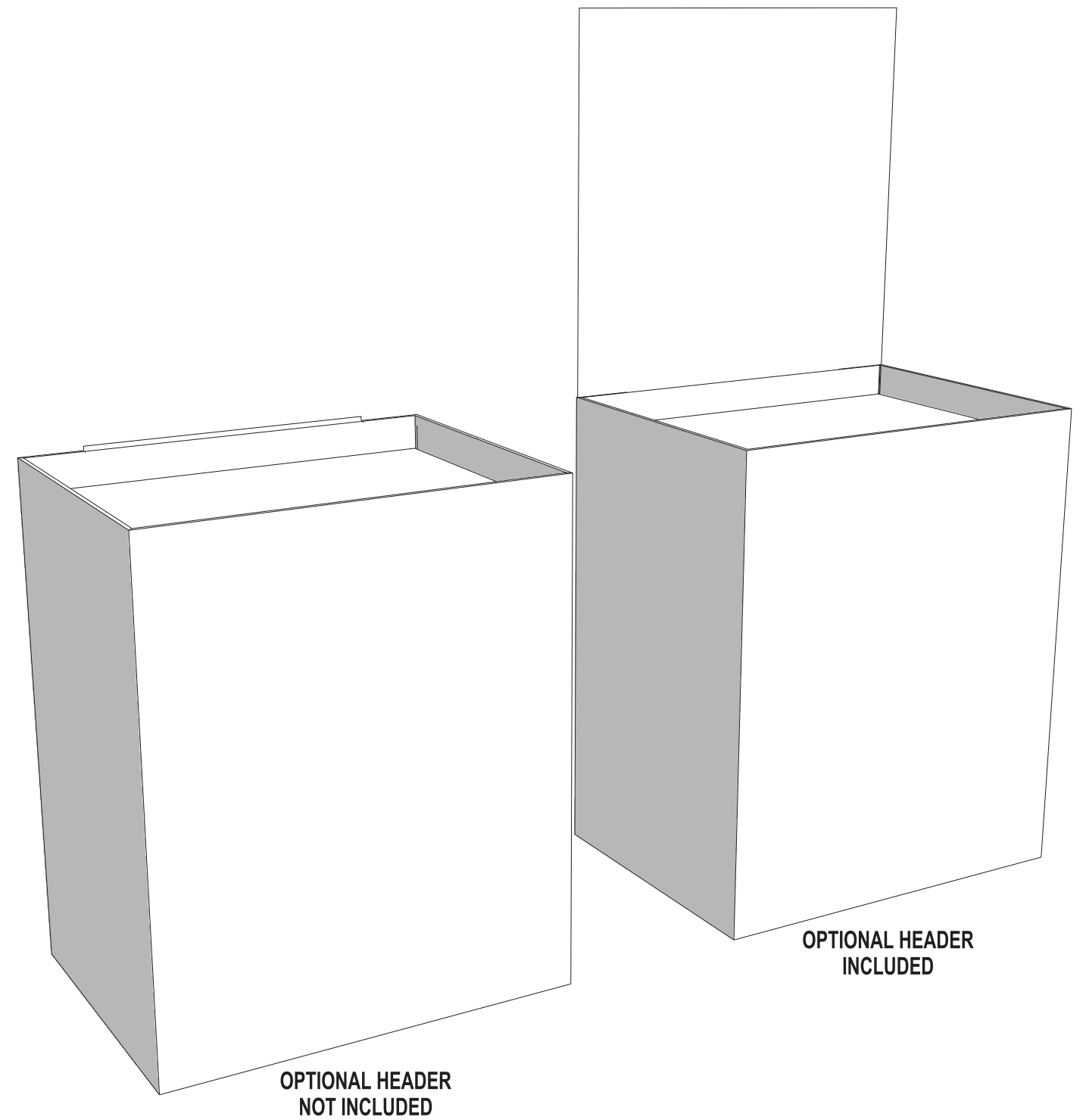
Step 7: Locate platform cover and fold all four flaps inward as shown.



Step 8: Turn platform cover over with flaps down and insert into base. Press down to meet supports.



Step 9: Locate header (if included) and insert into slot in back of base as shown.



Completed assembly. Follow prior steps and place display in desired location, then load with appropriate product.