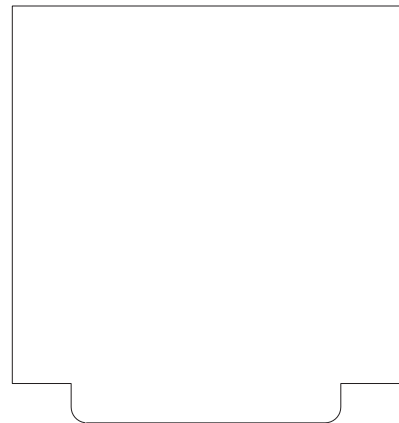
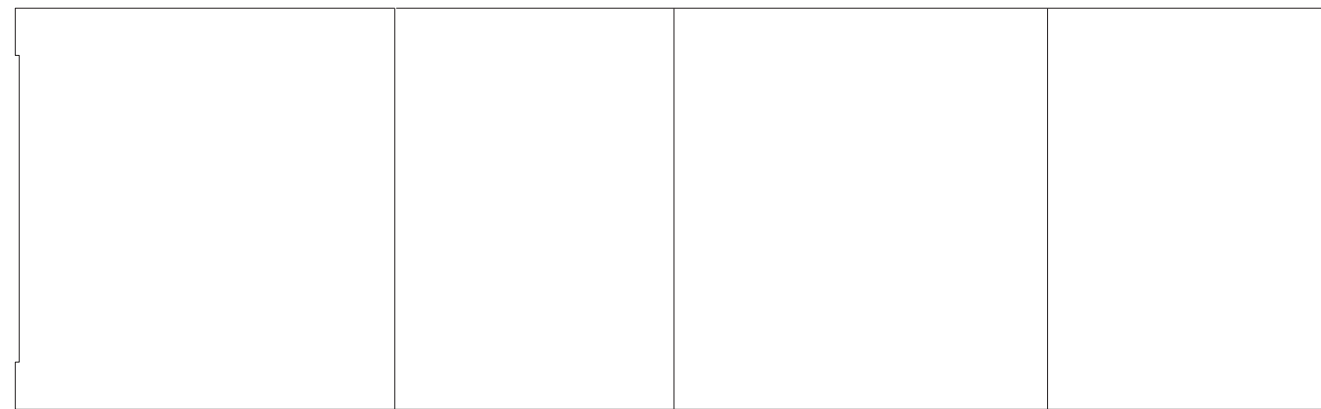


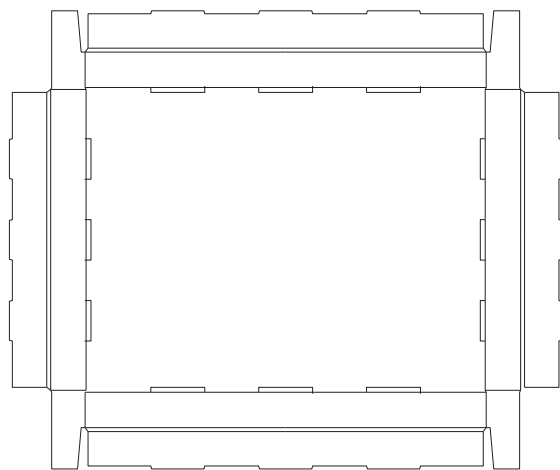
Floor Load Dump Bin Assembly Instructions



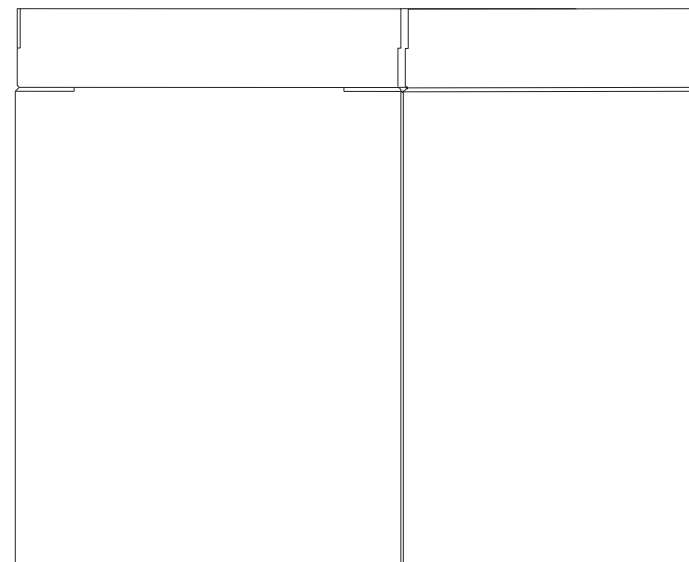
OPTIONAL HEADER



OPTIONAL INNER SUPPORT WRAP

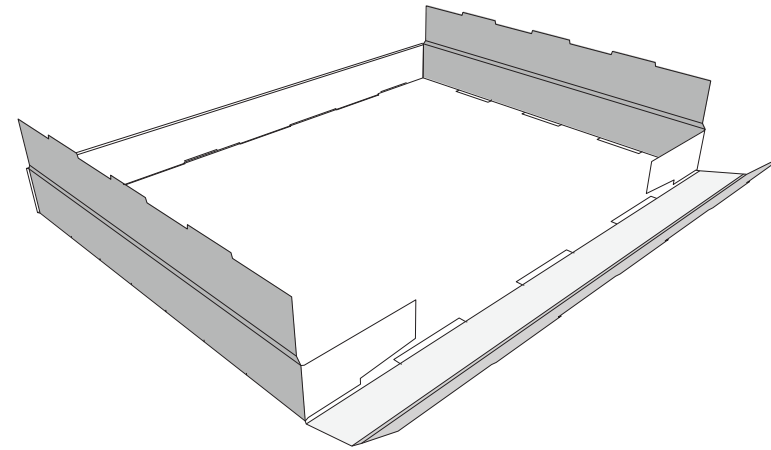


BASE TRAY

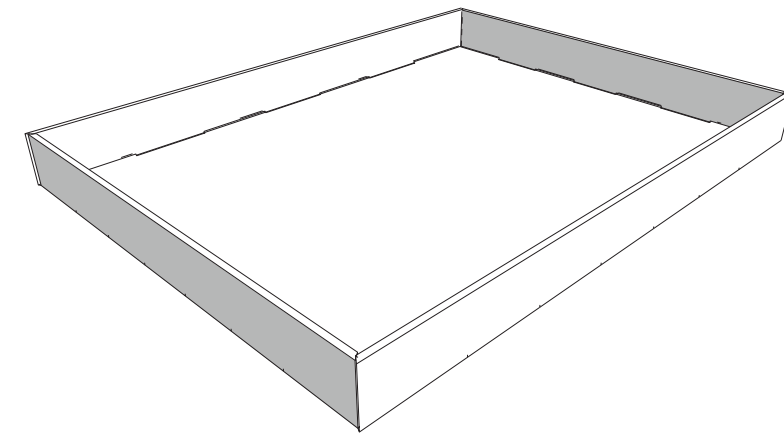


BASE

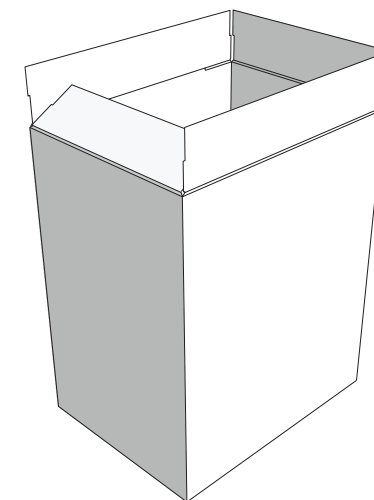
FLAT PARTS



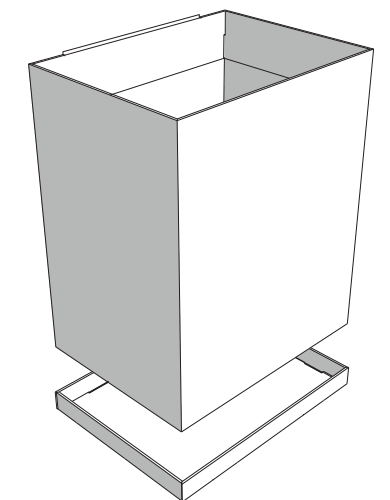
Step 1: Locate base tray and fold sides to capture minor flaps as shown.



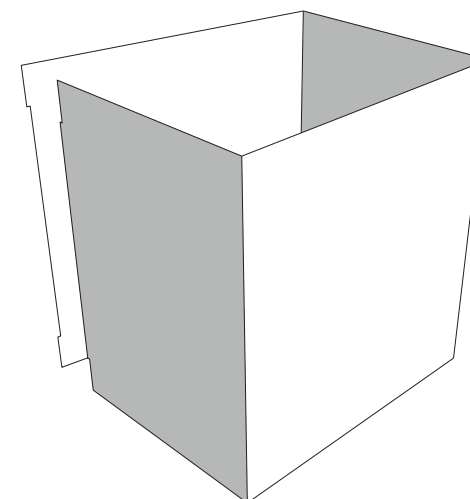
Step 2: Fold all panels around to securely form base tray.



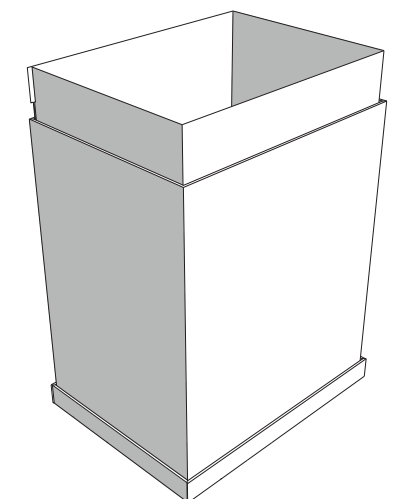
Step 3: Locate base and square up as shown. Begin folding base top flaps inward one at a time to lock securely.



Step 4: Set base into base tray as shown.

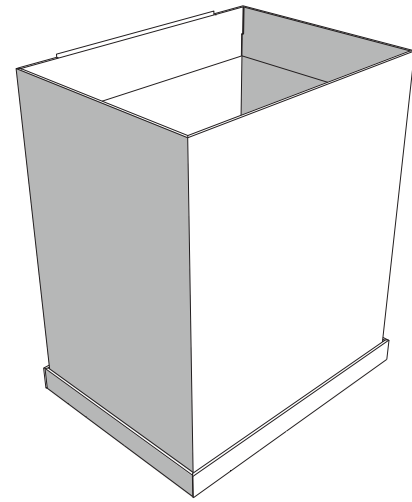


Step 5: If included, locate optional inner support wrap, then square up as shown.

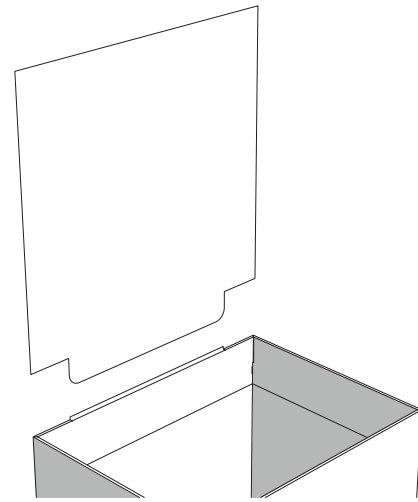


Step 6: Set optional inner support wrap into base tray as shown.

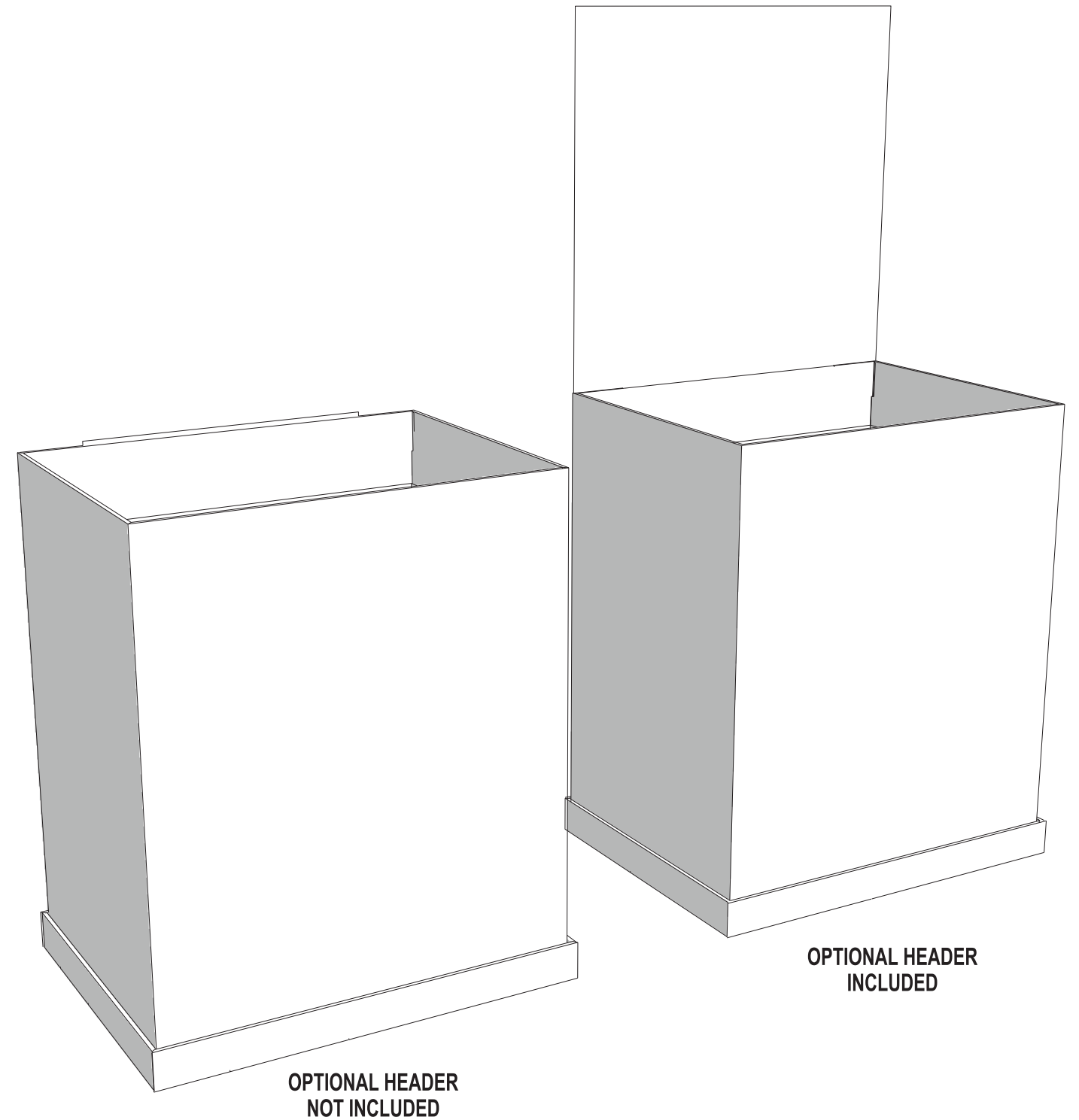
Floor Load Dump Bin Assembly Instructions



Step 7: Push base and optional inner support wrap firmly into base tray as shown.



Step 8: Locate header (if included) and insert into slot in back of base as shown.



Completed assembly. Follow prior steps and place display in desired location, then load with appropriate product.