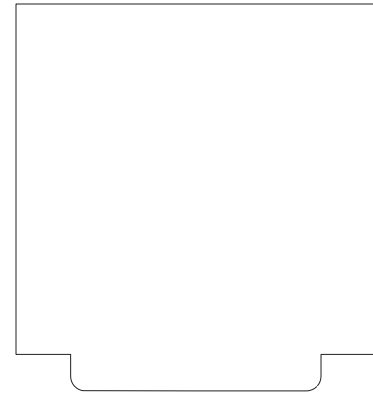
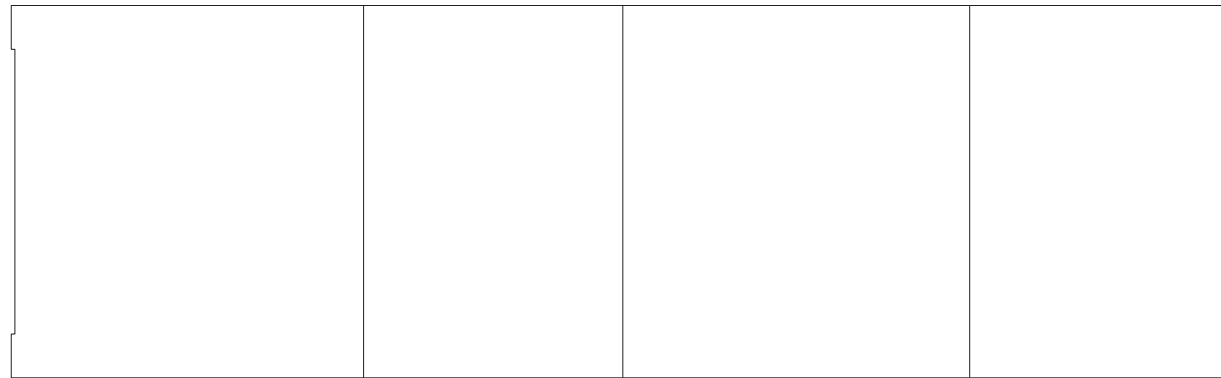


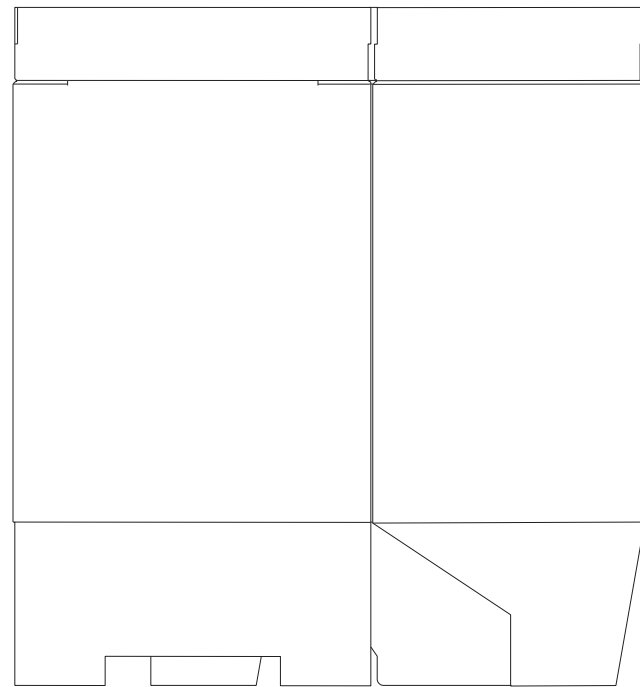
Floor Load Dump Bin Assembly Instructions



OPTIONAL HEADER

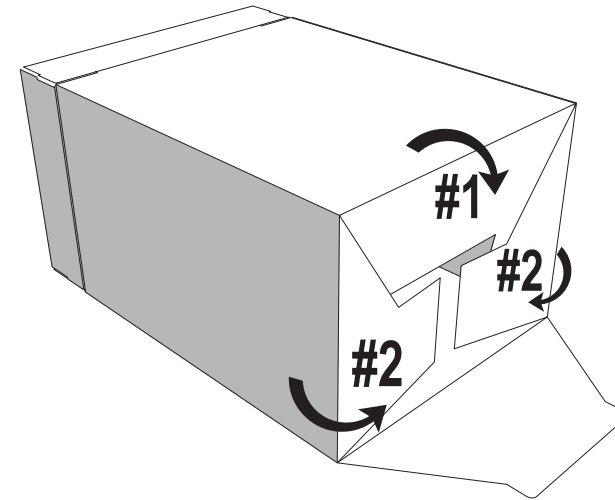


OPTIONAL INNER SUPPORT WRAP

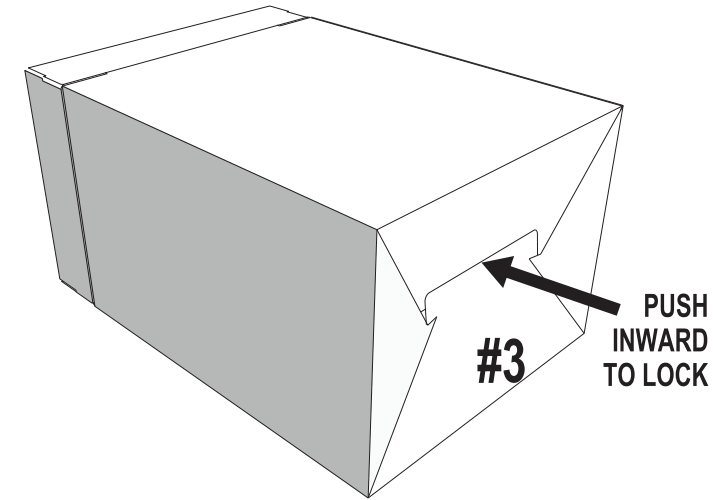


BASE

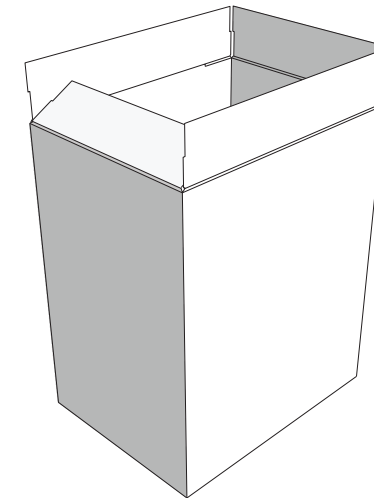
FLAT PARTS



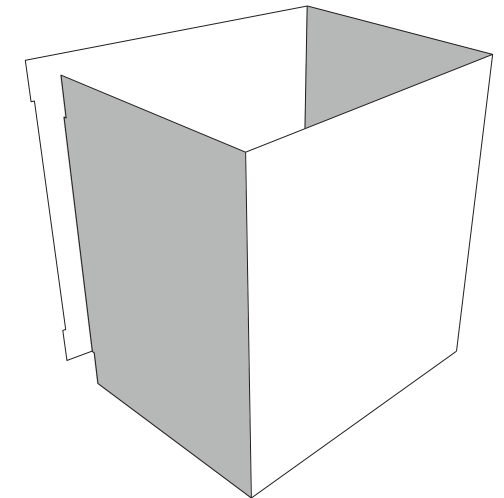
Step 1: Locate base square up as shown. Then and fold bottom #1 flap inward first. Next fold both bottom #2 flaps inward as shown.



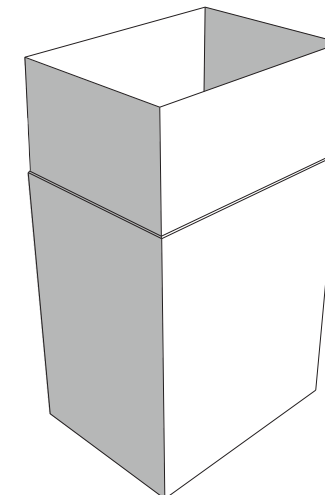
Step 2: Fold bottom #3 flap in and push inward until tab of flap locks into place.



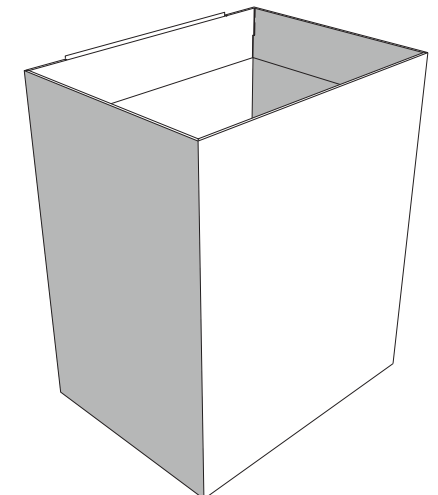
Step 3: Turn base upright as shown. Fold top base flaps around one at a time to lock securely.



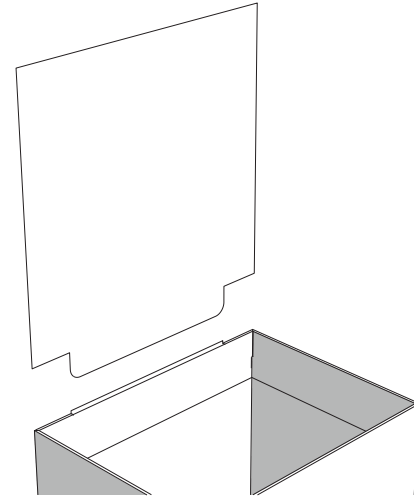
Step 4: If included, locate optional inner support wrap, then square up as shown.



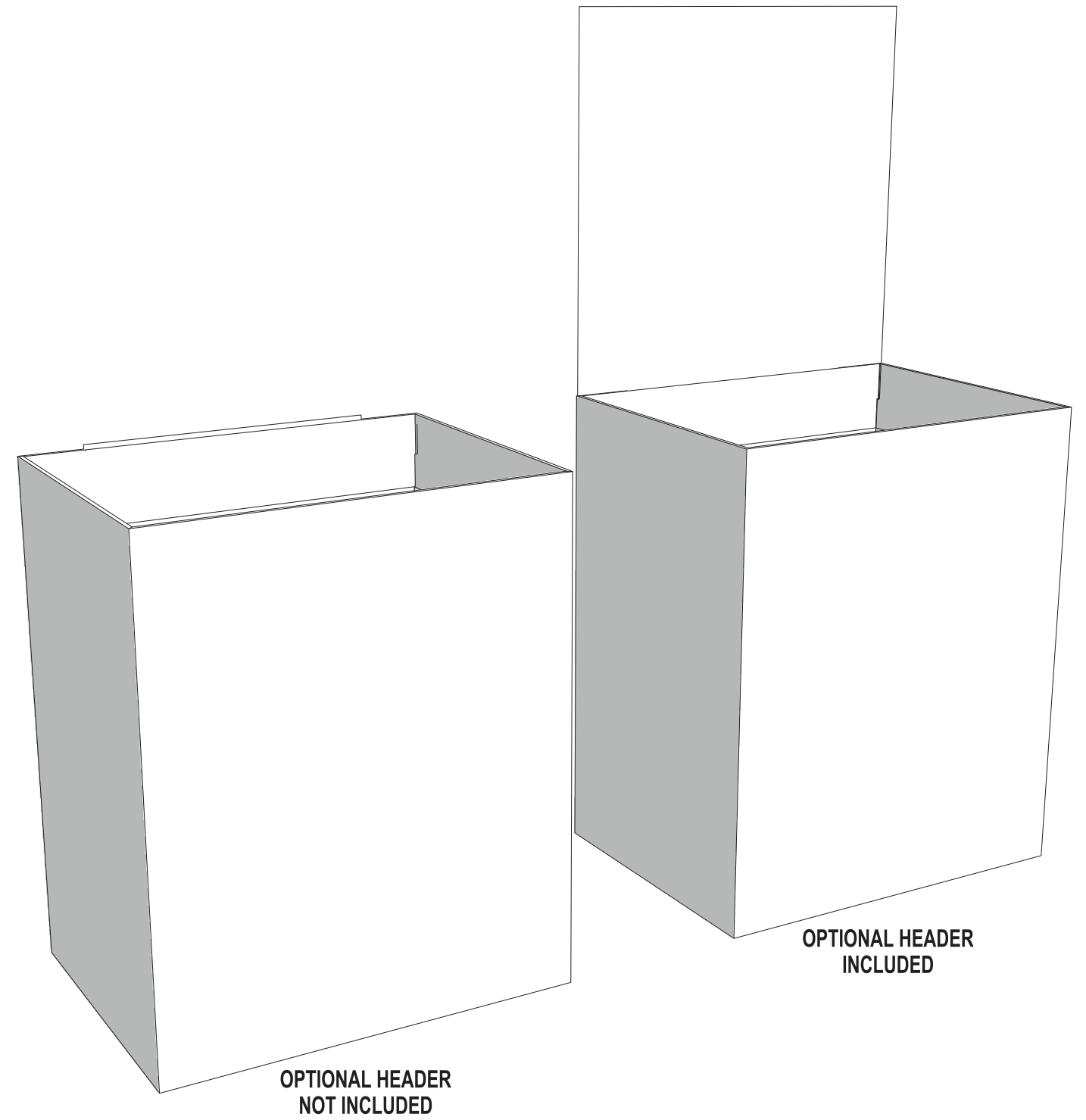
Step 5: Set optional inner support wrap into base tray as shown.



Step 6: Push optional inner support wrap firmly in place.



Step 7: Locate header (if included) and insert into slot in back of base as shown.



Completed assembly. Follow prior steps and place display in desired location, then load with appropriate product.