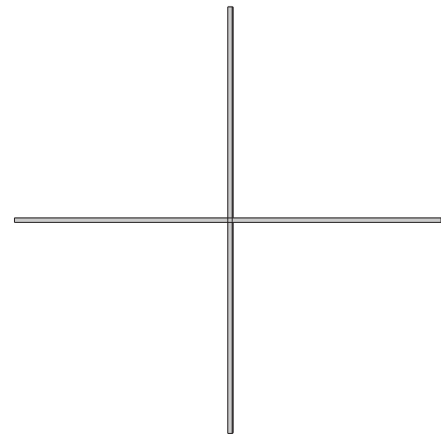
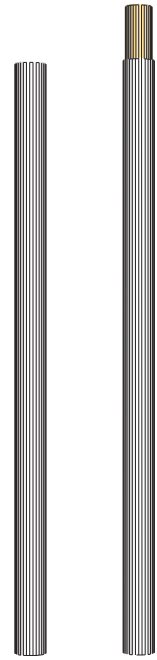


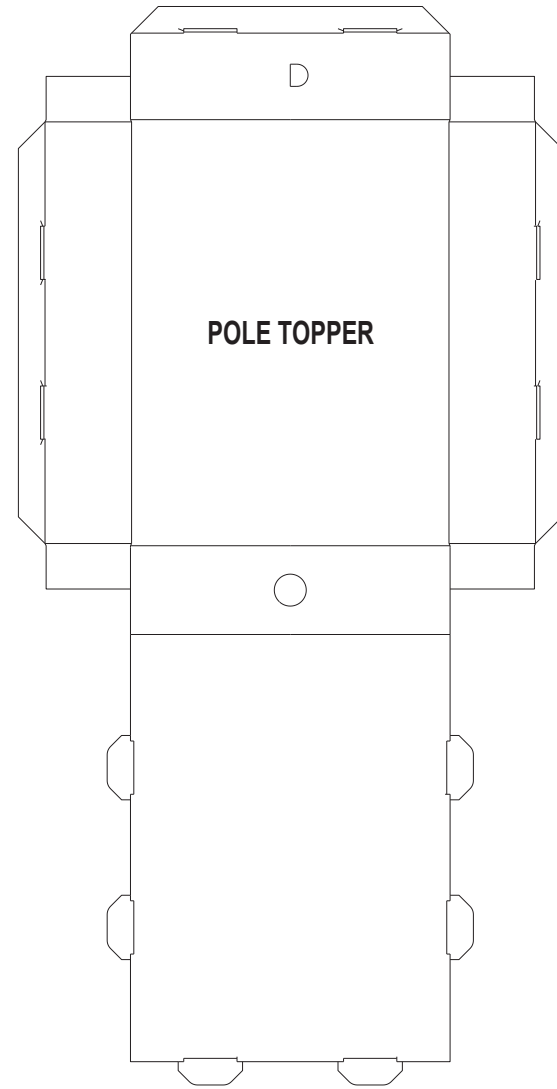
# Box Pole Topper Assembly Instructions



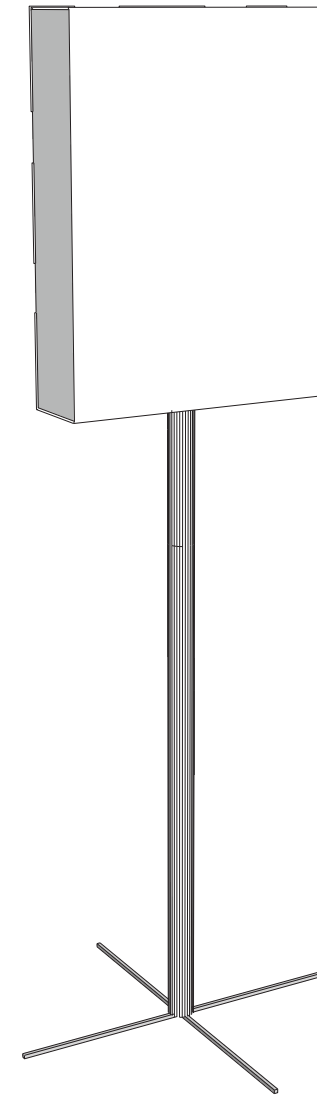
DISPLAY FEET



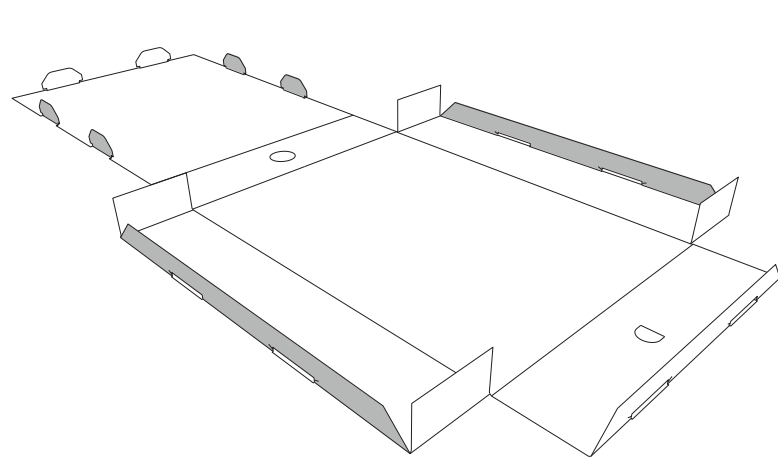
DISPLAY POLES



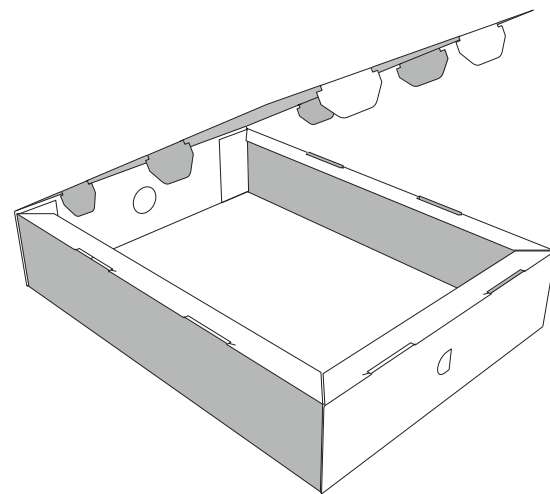
## Flat Parts



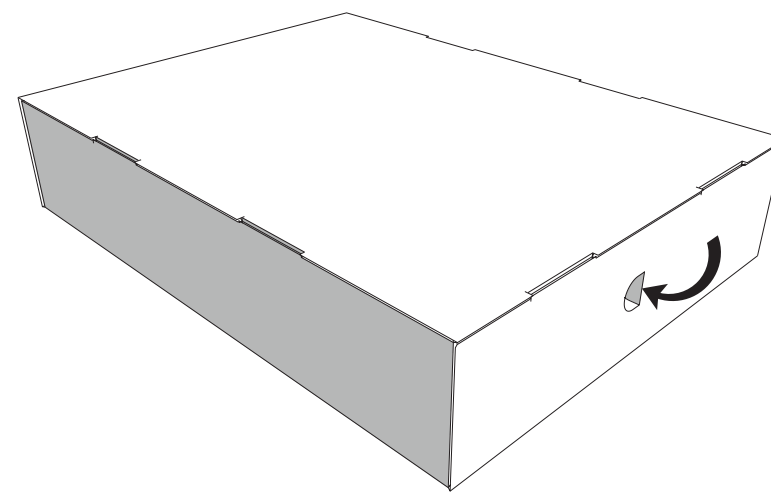
Completed assembly. Follow steps below and place display in desired location, then load with appropriate product



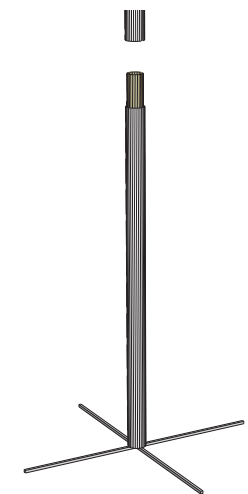
Step 1: Locate pole topper and fold flaps and tabs as shown.



Step 2: Fold five main panels around to secure with corner tabs.



Step 3: Fold top pole flap inward to register pole inside pole topper.



Step 4: Combine display feet with bottom pole, then combine second pole with attached joiner.