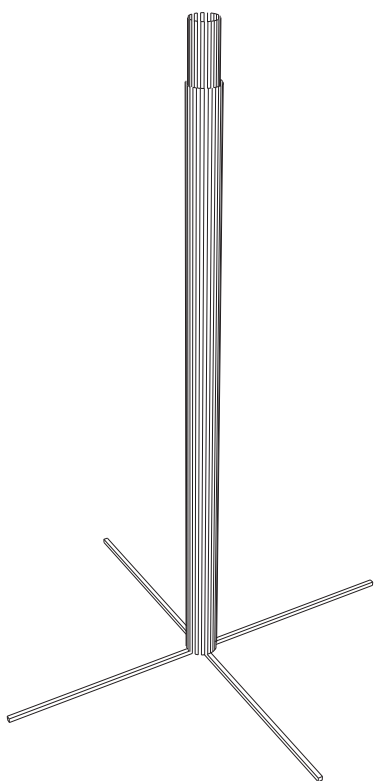
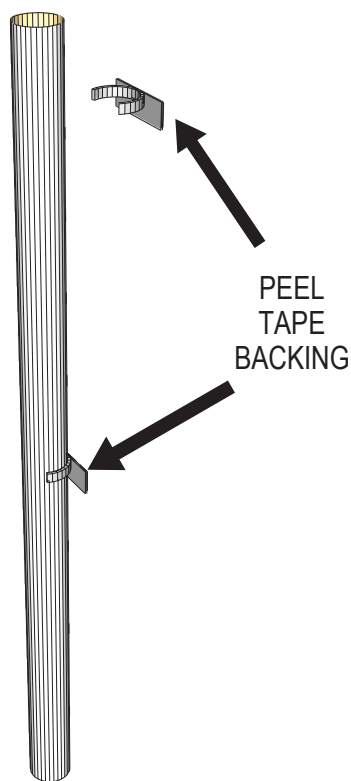


Completed assembly. Follow steps below and place display in desired location, then load with appropriate product.

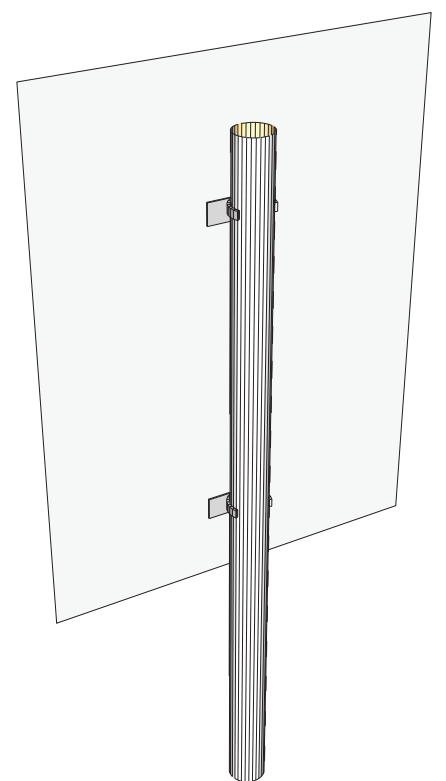
FLAT PARTS



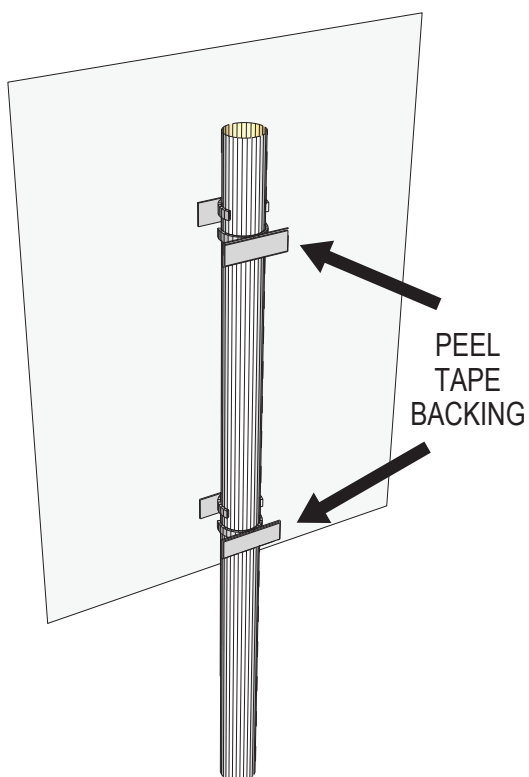
Step 1: Combine display feet with bottom pole, then combine second pole with attached joiner.



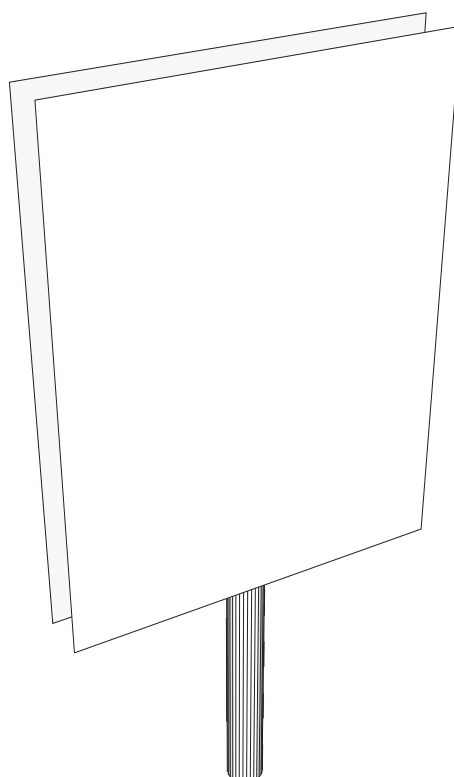
Step 2: Attach pole clips to one side of pole and peel backing from adhesive tape on flat side of clip.



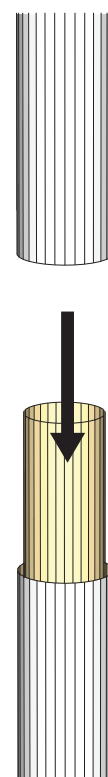
Step 3: Arrange two clips to be within the main graphic panel, carefully align graphic panel and stick in place.



Step 4: Arrange two more post clips on the opposite side and just underneath the previous clips as shown.



Step 5: Align and attach main graphic panel and press into place.



Step 6: Combine poles together.